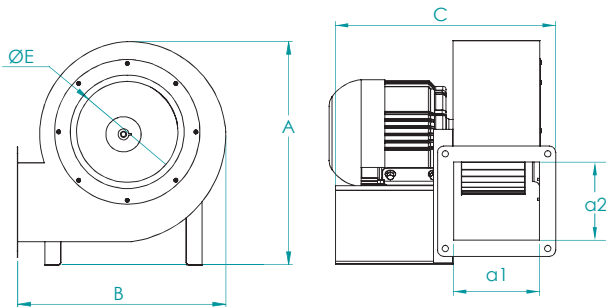


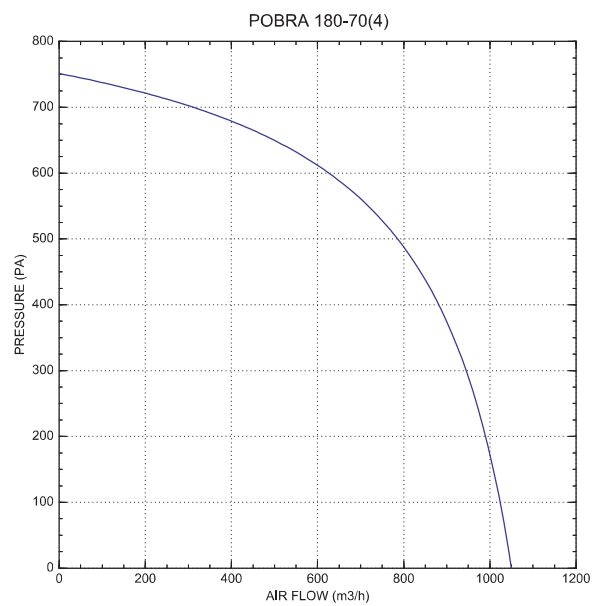
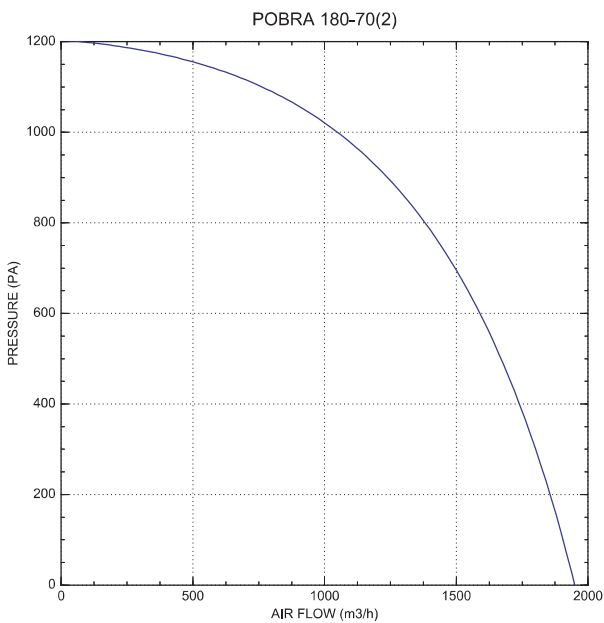
**POBRA-PSEK  
 FORWARD CURVED OBR SERIES RADIAL FANS**

MODEL	VOLTAGE (VOLT/Hz)	POWER (WATT)	CURRENT (A)	SPEED (d/d)	AIR FLOW (m3/h)	SOUND (dBA)
POBRA 180-70 (2)	230/380/50	600	2,54	2800	1950	55
POBRA 180-70 (4)	230/380/50	550	1,18	1400	1050	45
POBRA 260-(2)	230/380/50	600	1,20	2800	2600	72
POBRA 260-(4)	230/380/50	600	1,20	1400	1400	65
PSEK 180-80 M	230/50	370	1,55	2800	1750	70
PSEK 180-80 T	380/50	370	1,43	2800	1750	70
PSEK 260-M	230/50	600	1,20	2800	2050	72
PSEK 260-T	380/50	600	1,20	2800	2050	71

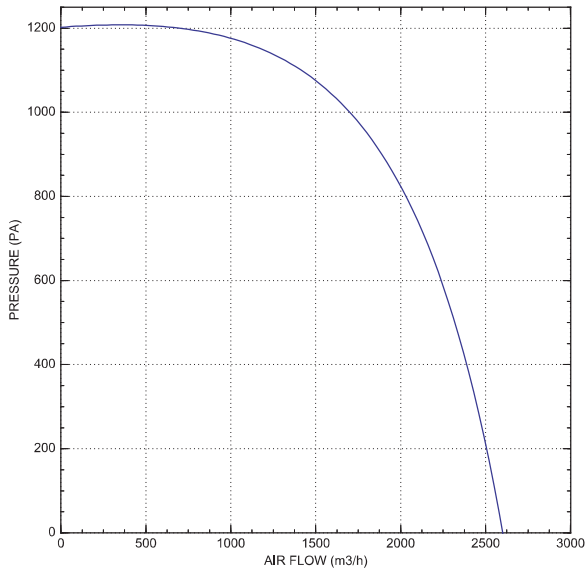

**POBRA**

**PSEK**


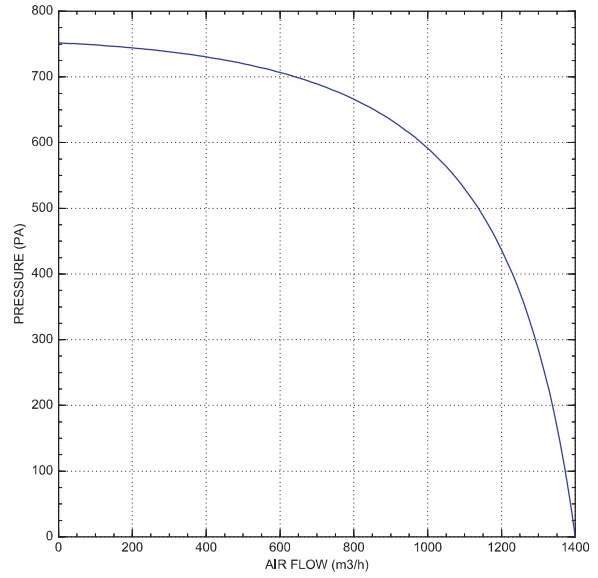
MODEL	A	B	C	INLET E	OUTLET a1	OUTLET a2
POBRA-180	320	290	290	160	100	115
POBRA-260	427	359	334	190	125	163
PSEK-180	320	290	290	160	100	115
PSEK-260	427	359	334	190	125	163



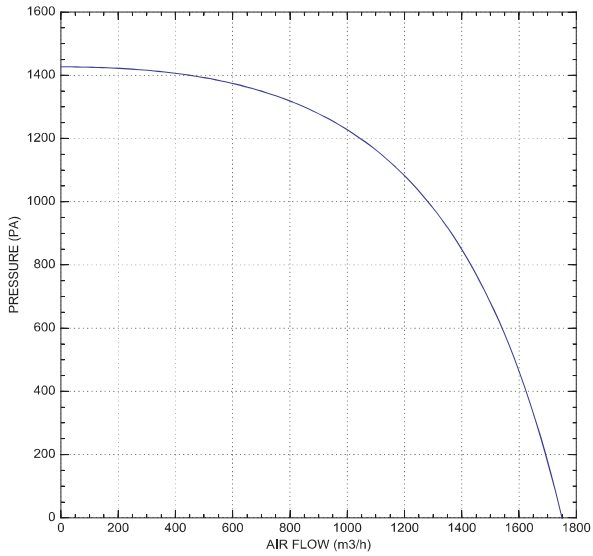
POBRA-260(2)



POBRA-260(4)



PSEK 180-80



PSEK 260

